



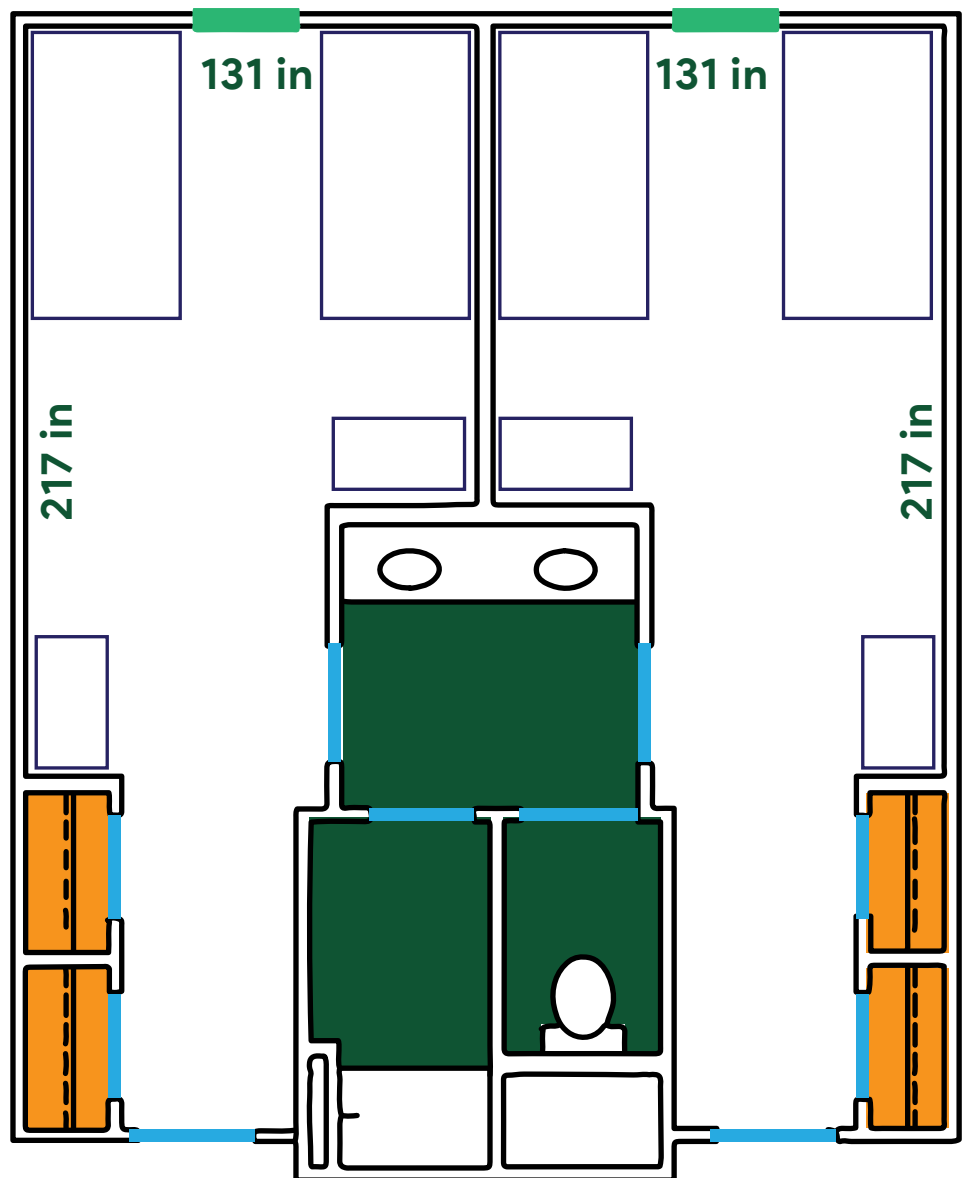
# CENTRAL CAMPUS

## Housing Floorplans & Furniture Dimensions

# central campus typical double suite floor plan

Adams, Foundation, Napier,  
Parkhurst and Wells Hall

## overview

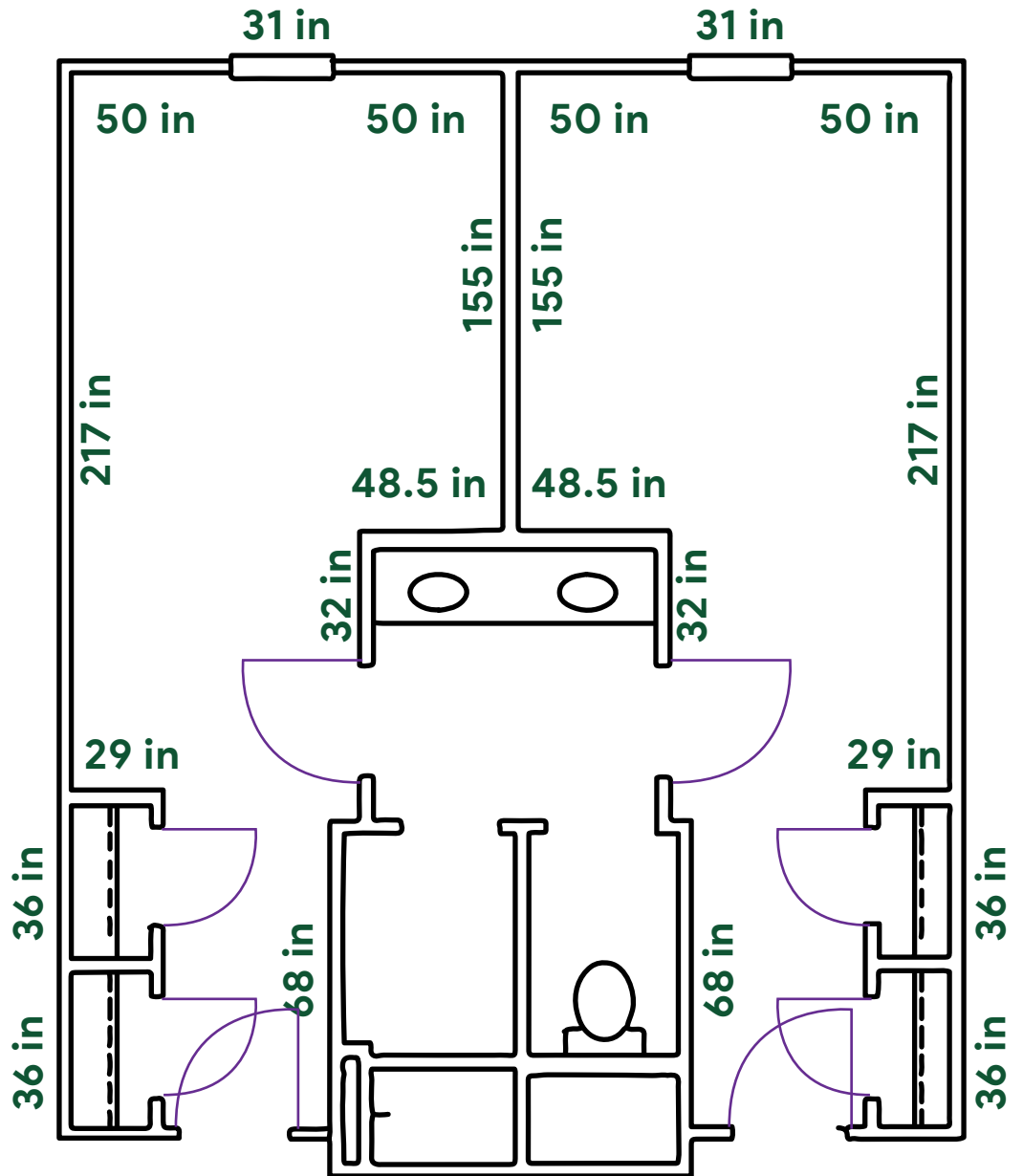


- WINDOWS
- DOORS
- BATHROOMS
- CLOSETS
- FURNITURE FOR SCALE

# central campus typical double suite floor plan

Adams, Foundation, Napier,  
Parkhurst and Wells Hall

## details

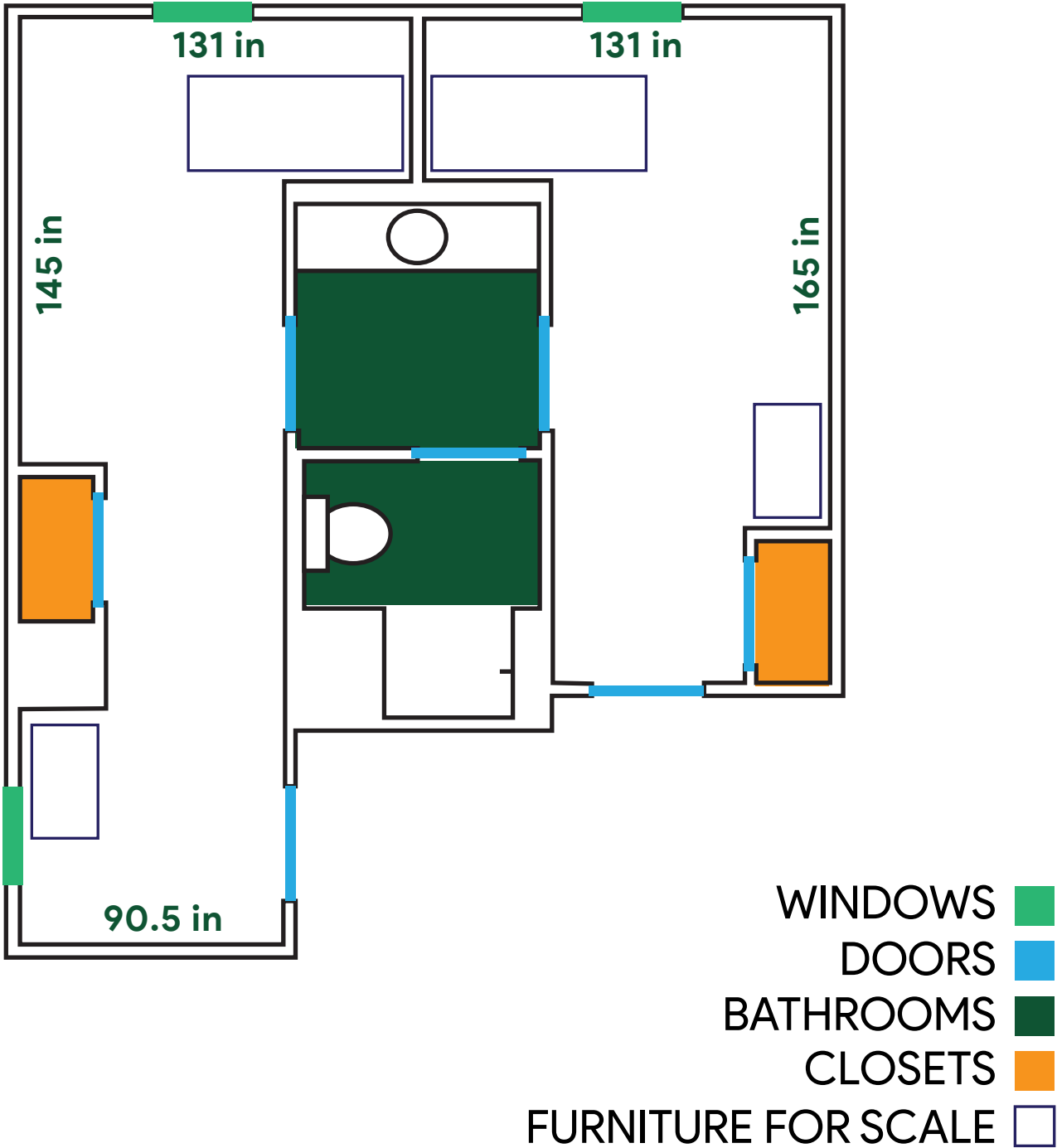


Rooms vary. Your room may be different.

# central campus typical single suite floor plan

Adams, Foundation, Napier,  
Parkhurst and Wells Hall

## overview

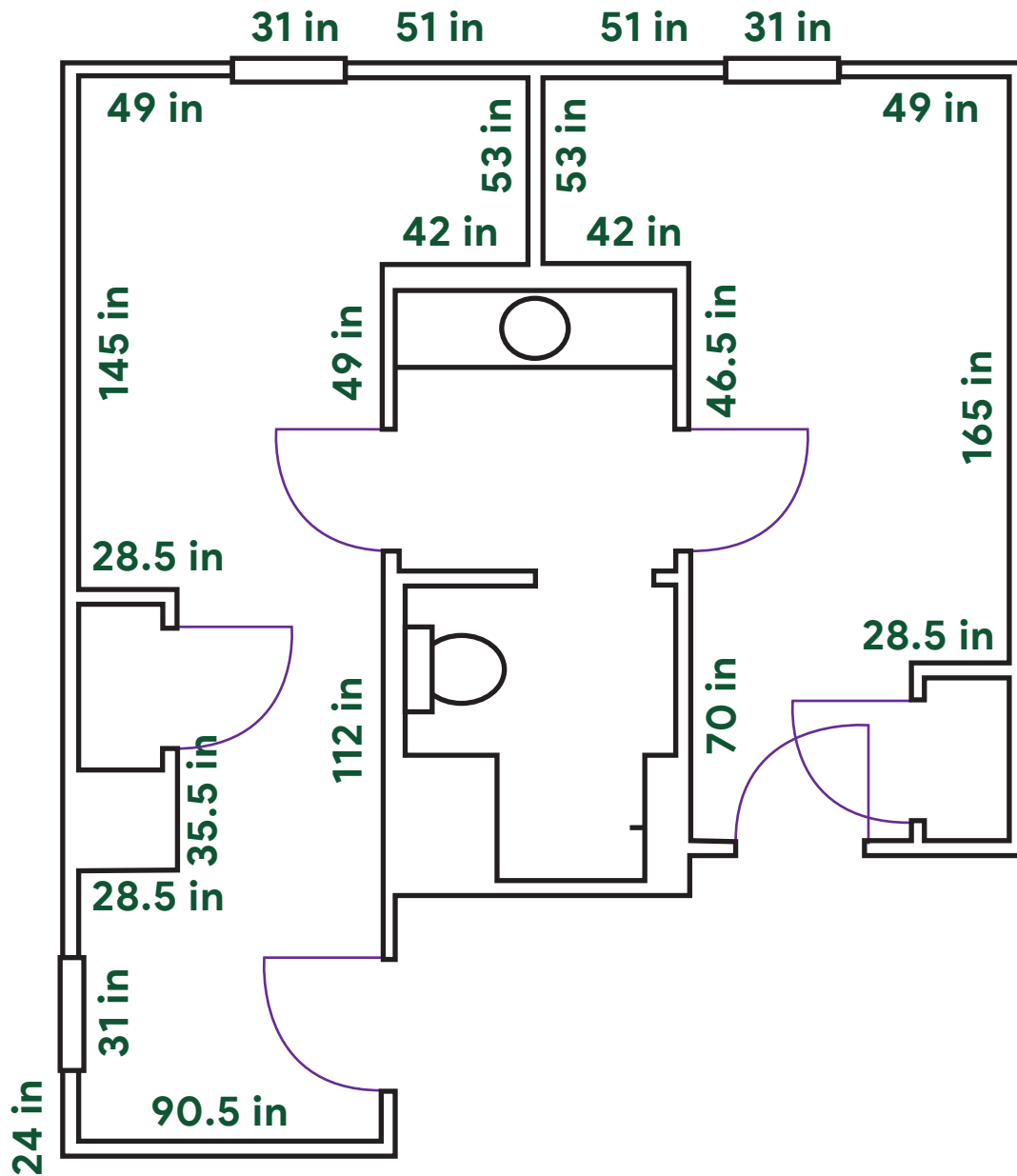




# central campus typical single suite floor plan

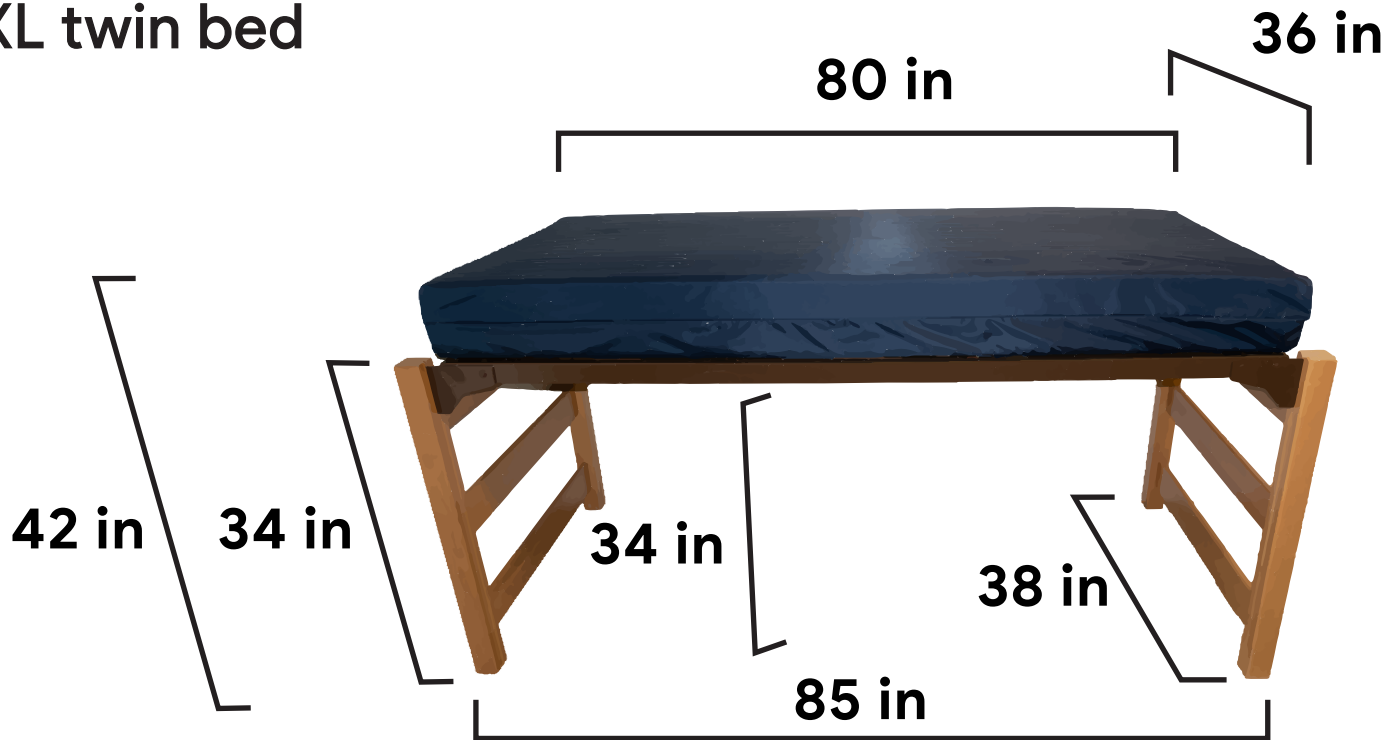
Adams, Foundation, Napier,  
Parkhurst and Wells Hall

## details

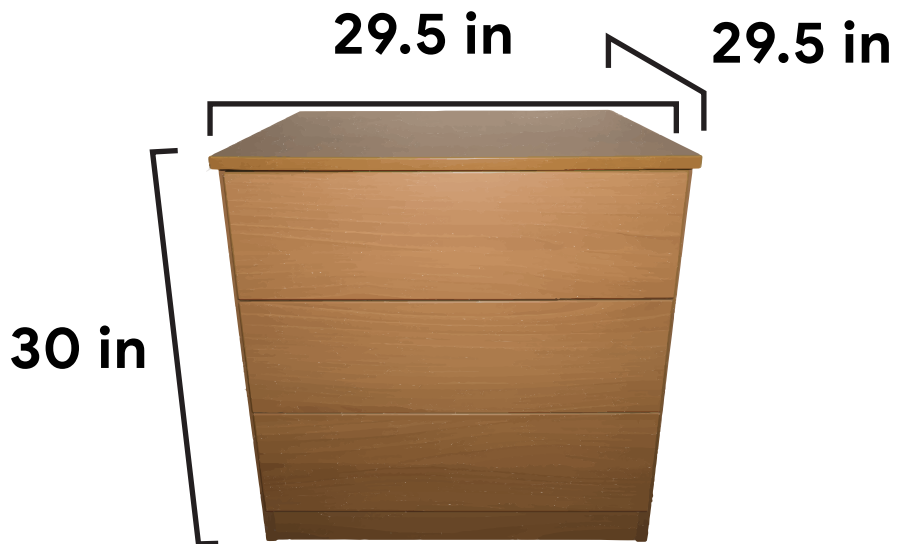


Rooms vary. Your room may be different.

## XL twin bed



## dresser

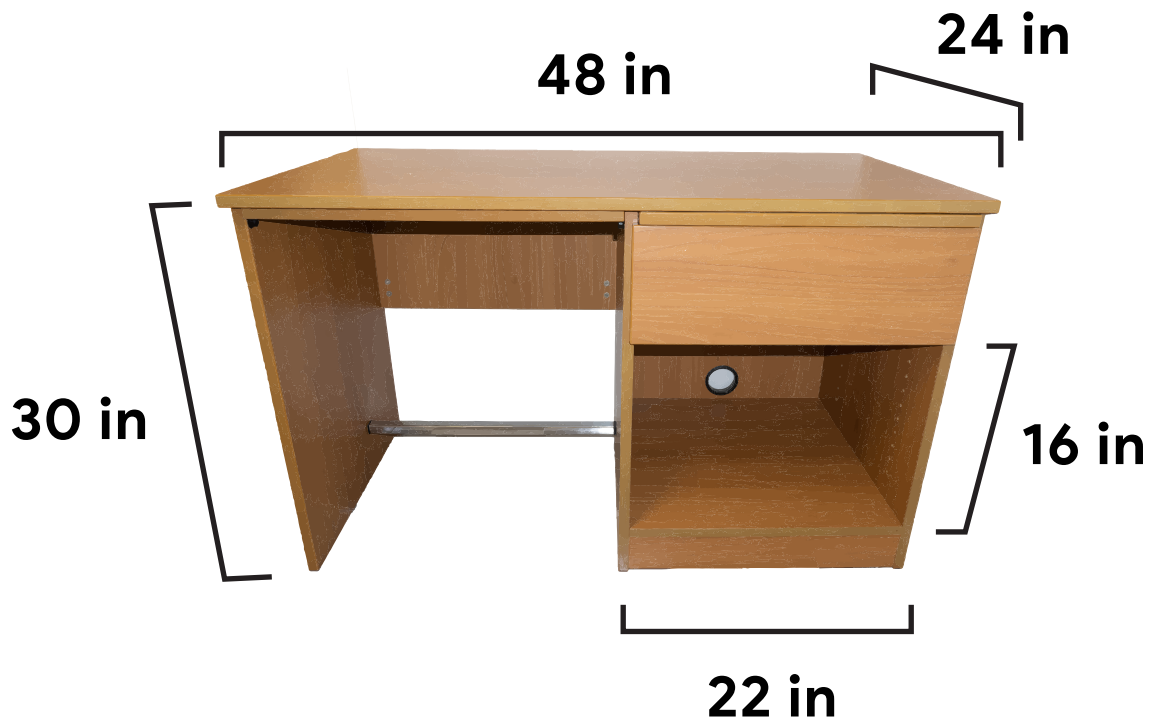


dressers fit underneath  
XL twin beds at highest setting

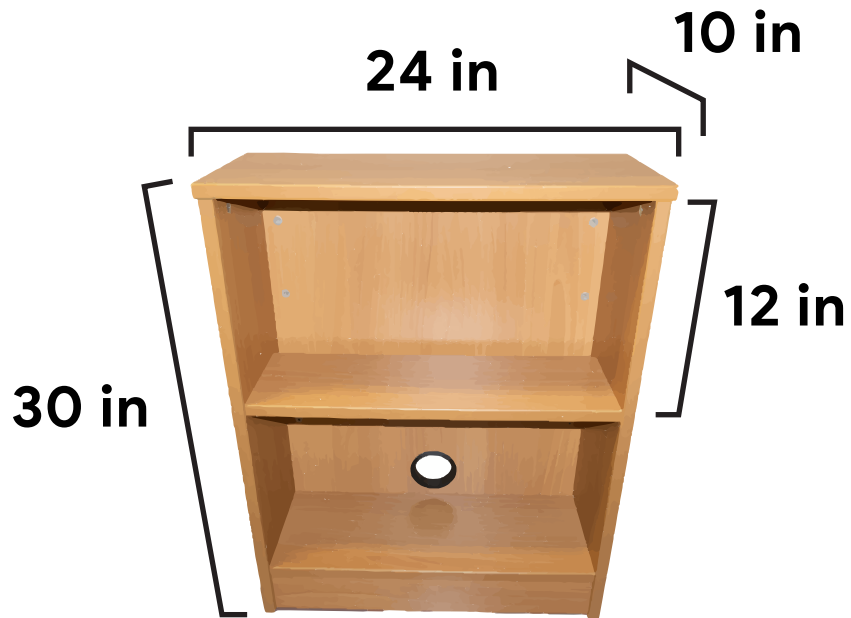


**central campus  
furniture dimensions  
XL twin bed / dresser**

**desk**

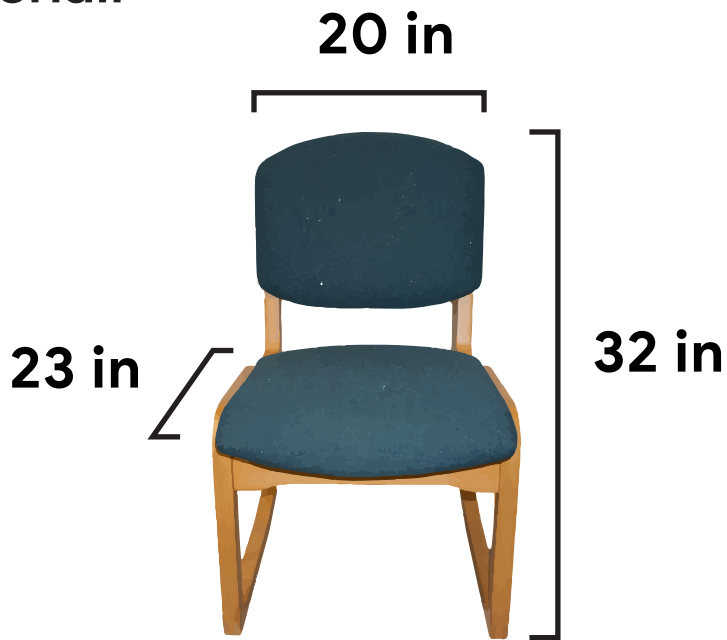


**bookshelf**



**central campus  
furniture dimensions  
desk / bookshelf**

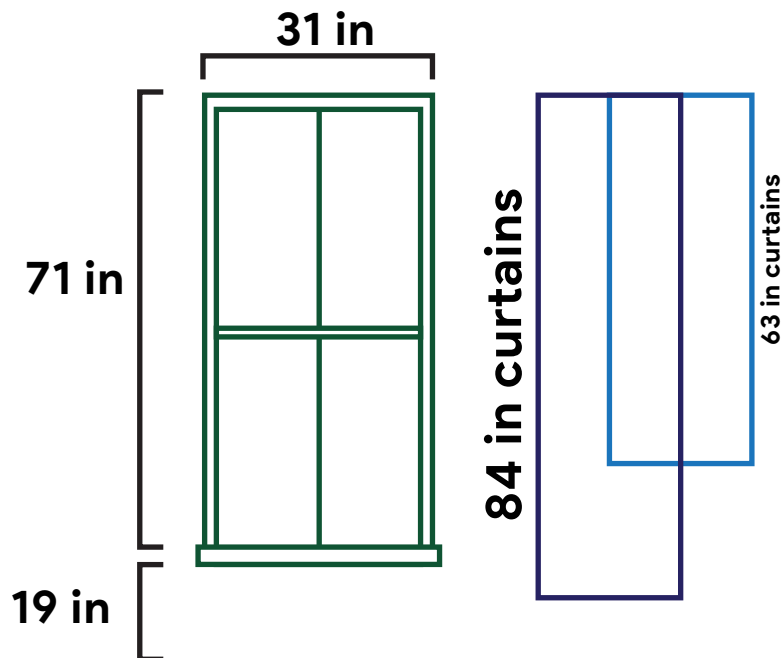
## desk chair



possible desk configuration



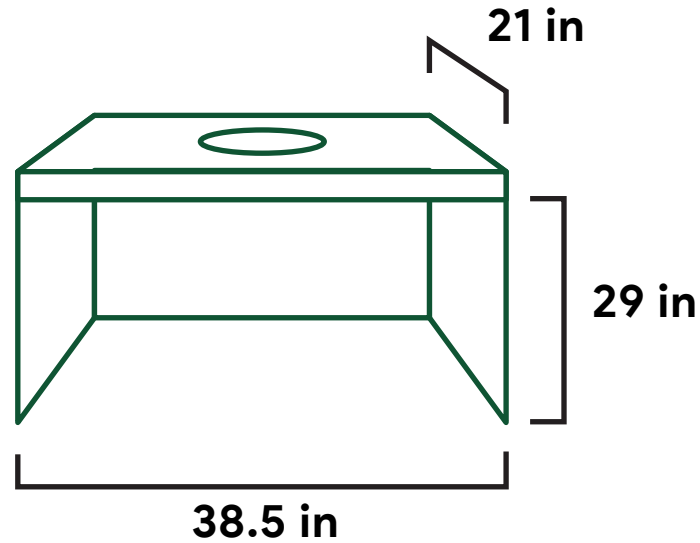
## window



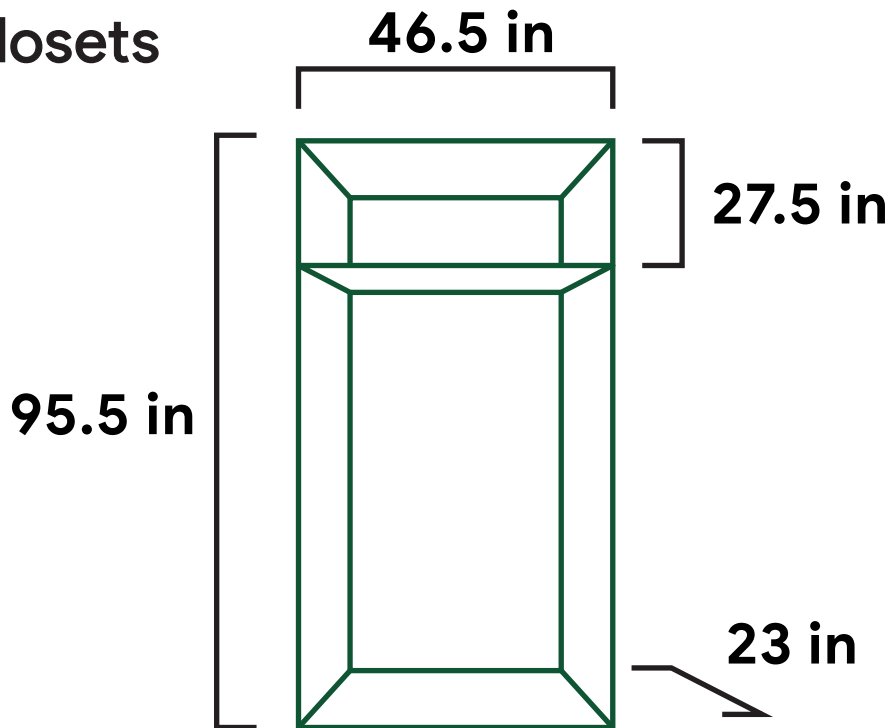
**central campus  
furniture dimensions  
desk chair / window**



## area under sink



## closets



double suites will provide  
1 lockable closet per student

**central campus  
furniture dimensions  
sink storage / closets**