



# WEST CAMPUS 4-6

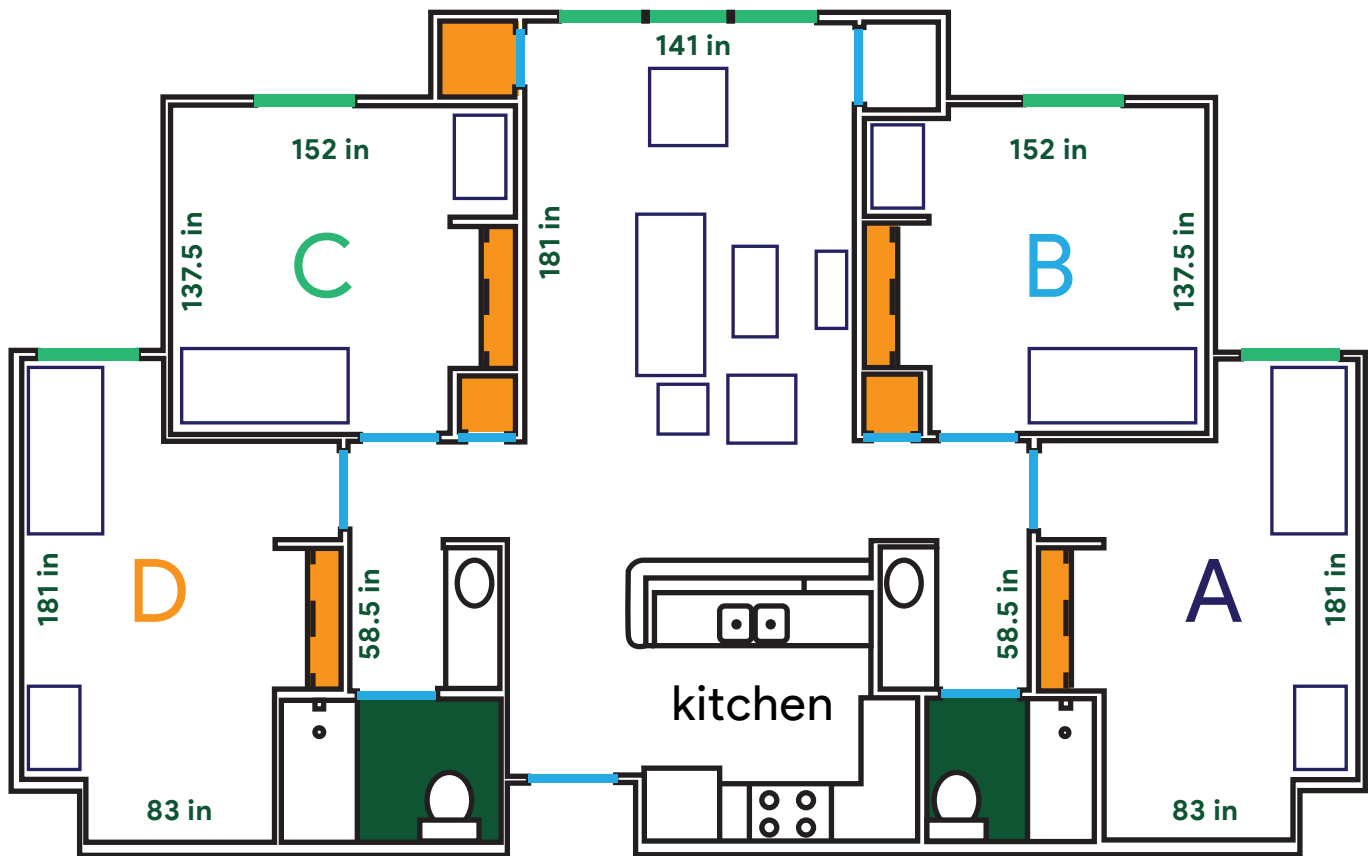
## Housing Floorplans & Furniture Dimensions

# west campus

## 4 bedroom or 8 person floor plan

Buildings 4-6

overview



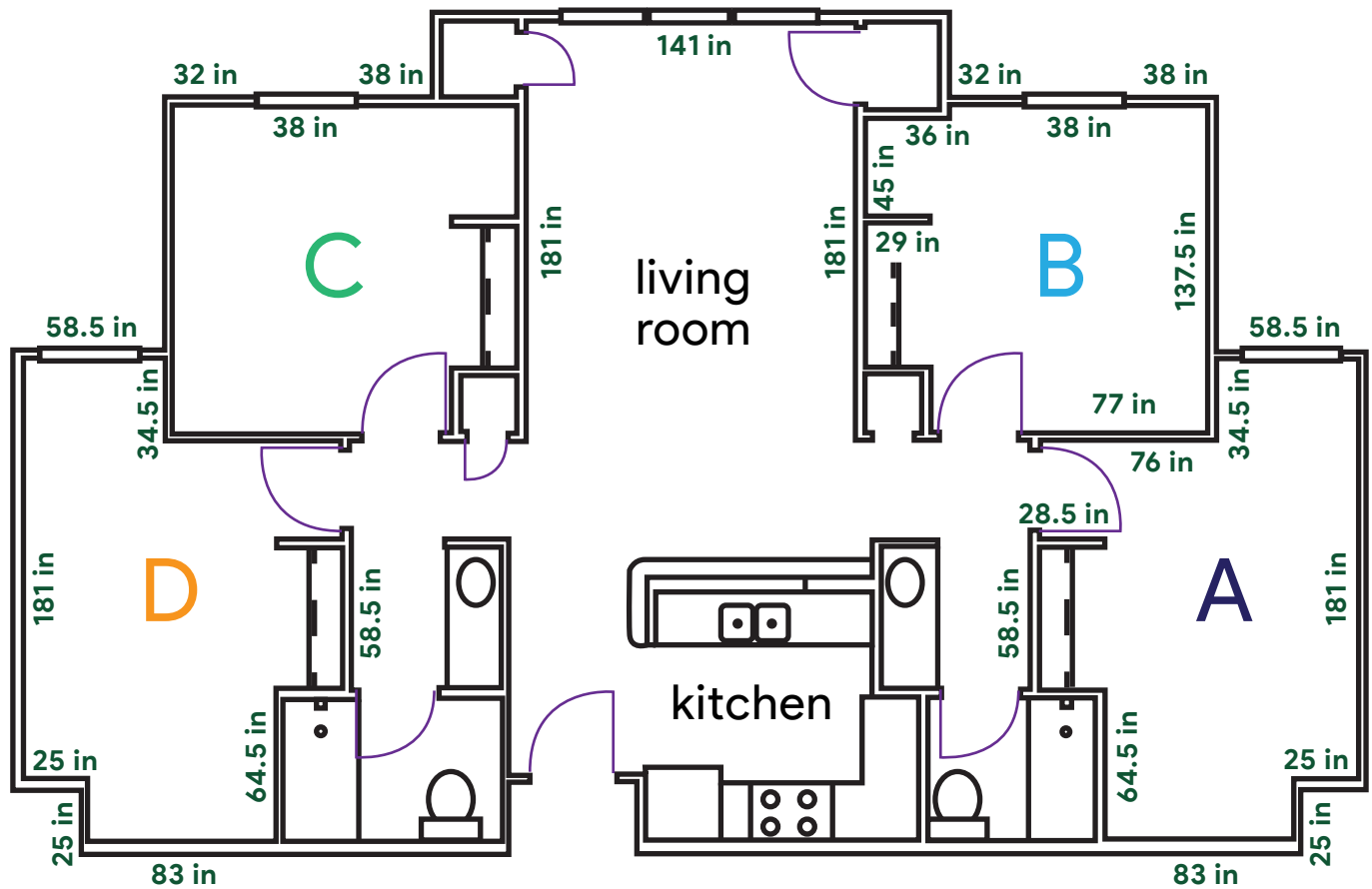
- WINDOWS
- DOORS
- BATHROOMS
- CLOSETS
- FURNITURE FOR SCALE

# west campus

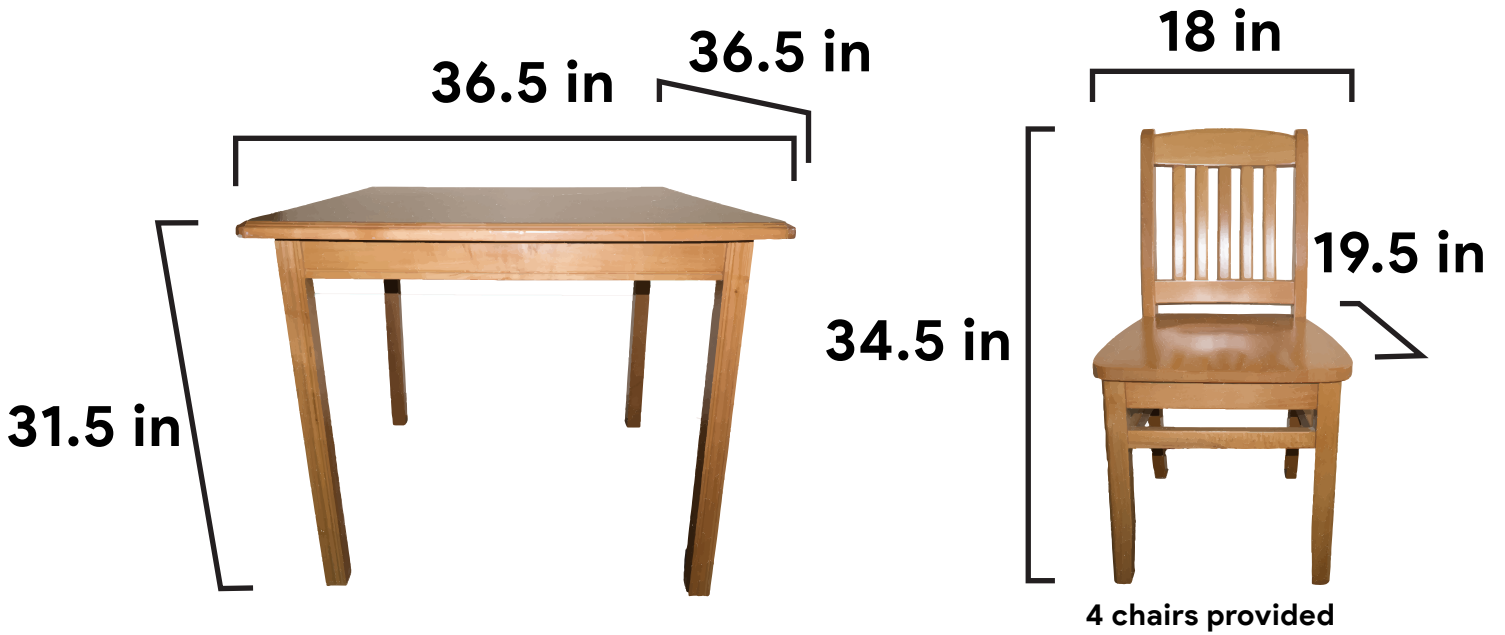
## 4 bedroom or 8 person floor plan

Buildings 4-6

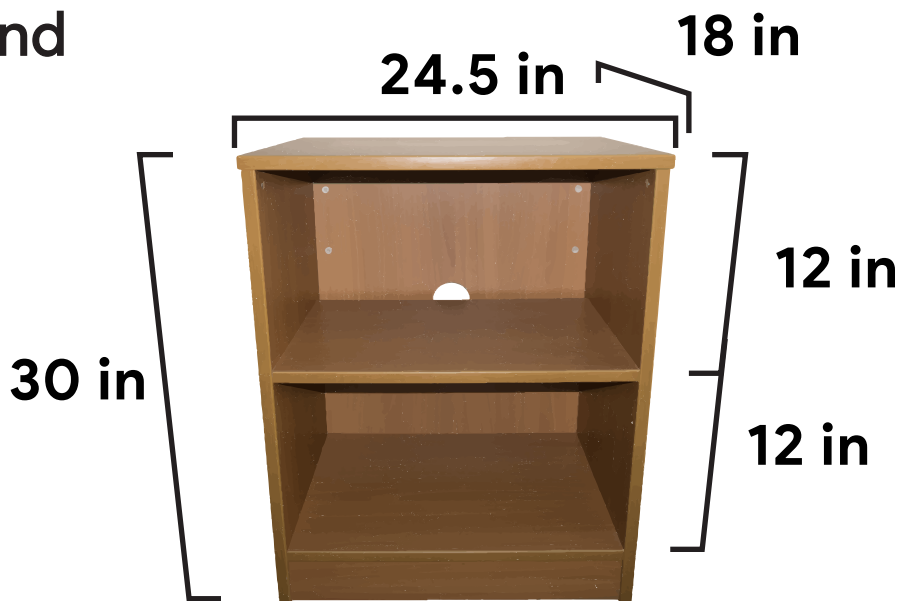
details



## dining set



## TV stand



**west campus**  
furniture dimensions  
dining set / TV stand

**armchair**



**sofa**

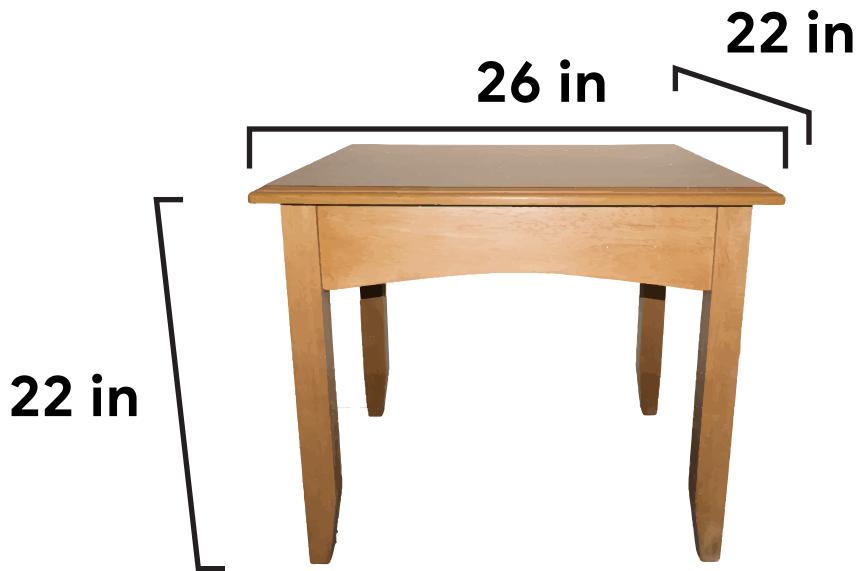


**west campus**  
furniture dimensions  
armchair / sofa

**coffee table**



**side table**

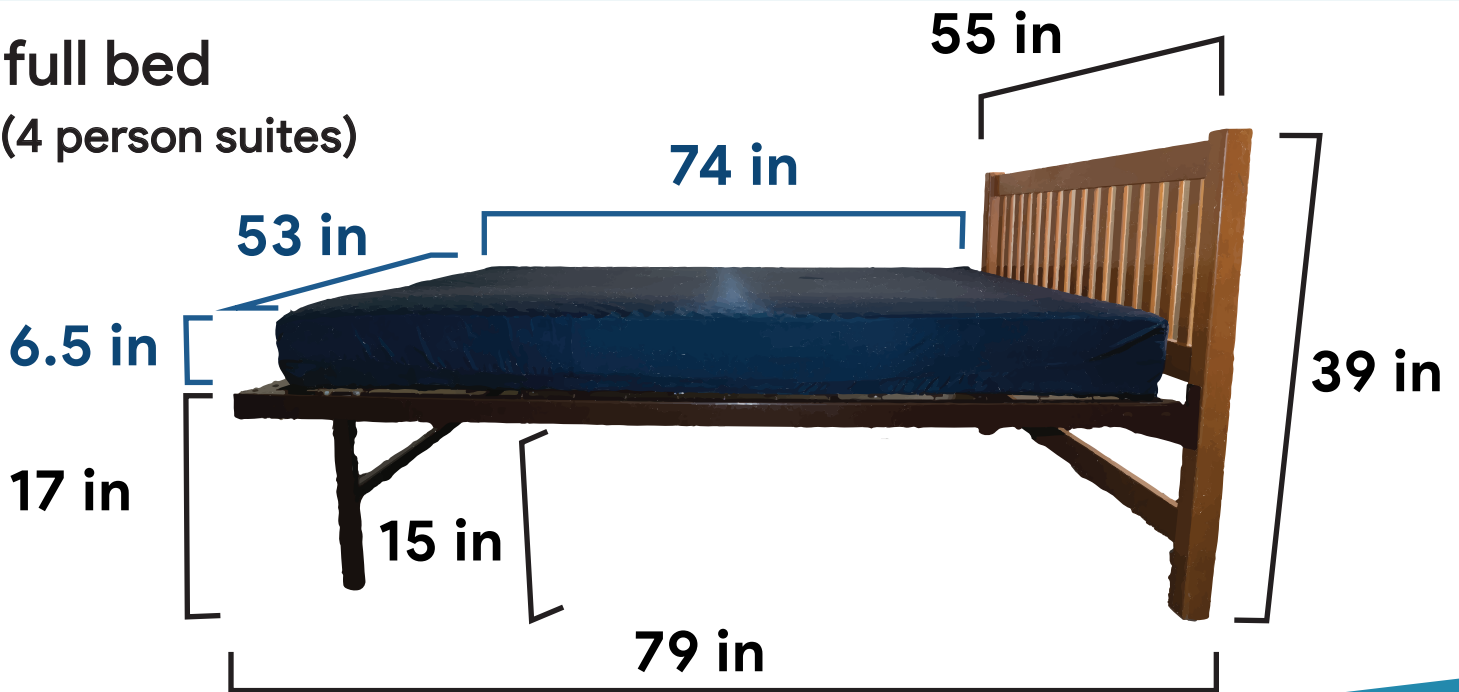


**west campus  
furniture dimensions  
coffee table / side table**

**XL twin bed**  
(8 person suites)  
(bunking available)

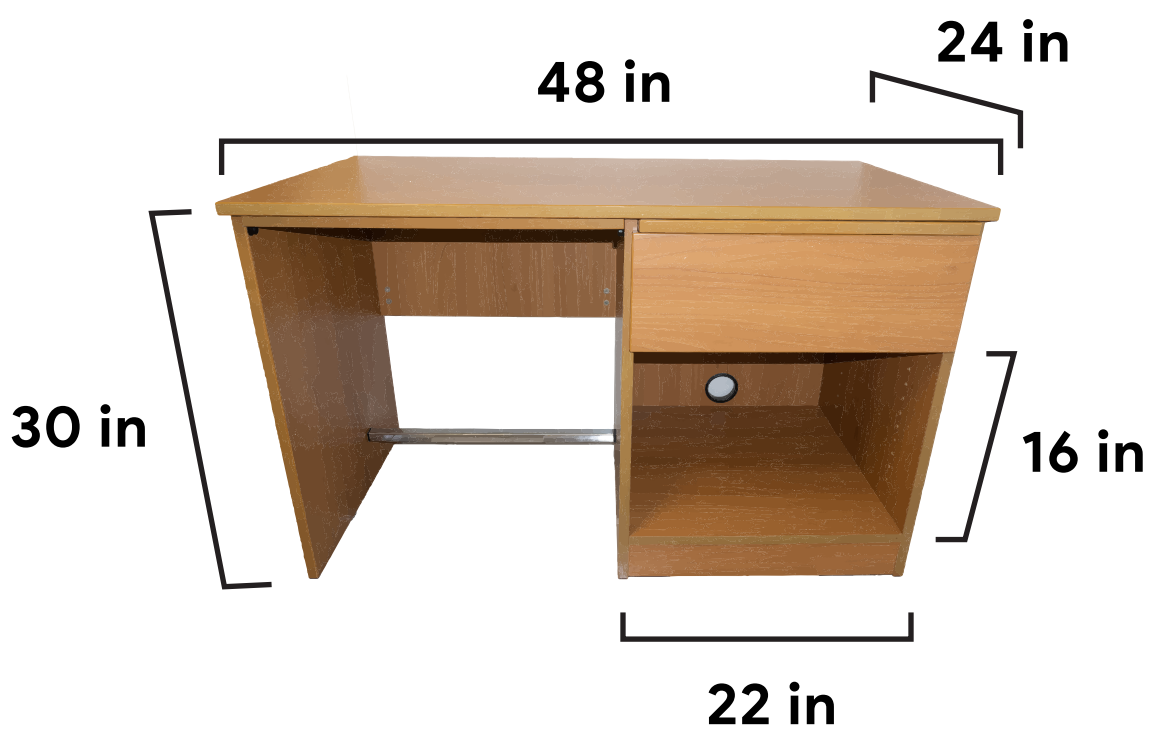


**full bed**  
(4 person suites)

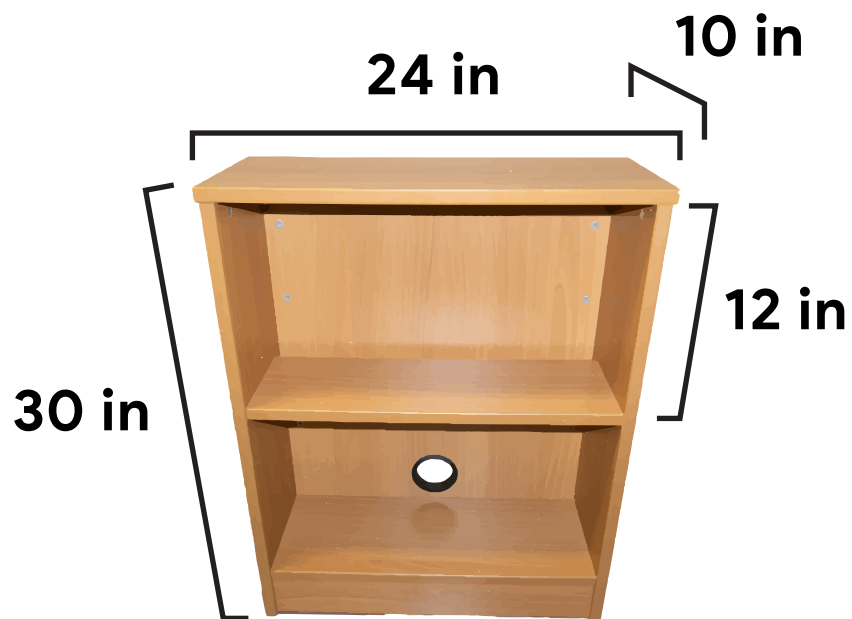


**west campus**  
furniture dimensions  
**XL twin bed / full bed**

desk



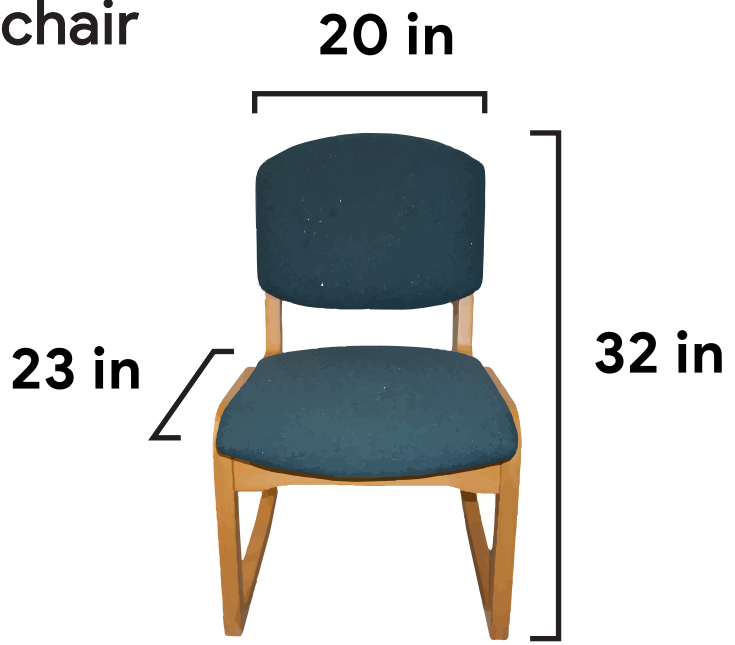
bookshelf



**west campus**  
furniture dimensions  
desk / bookshelf



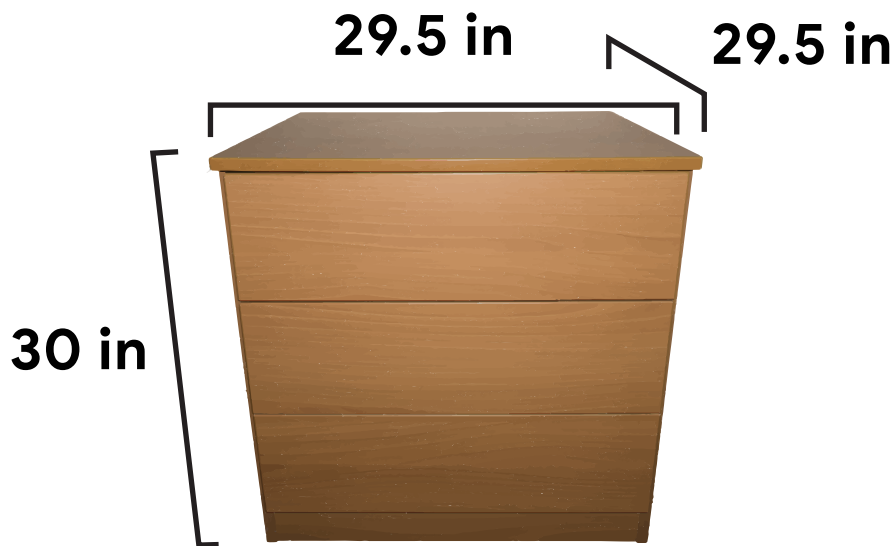
desk chair



possible desk configuration

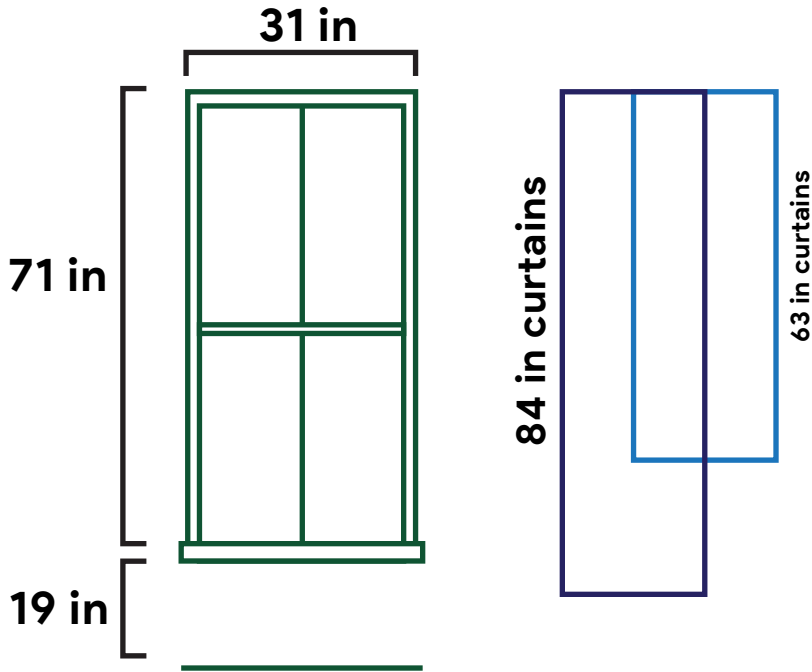


dresser

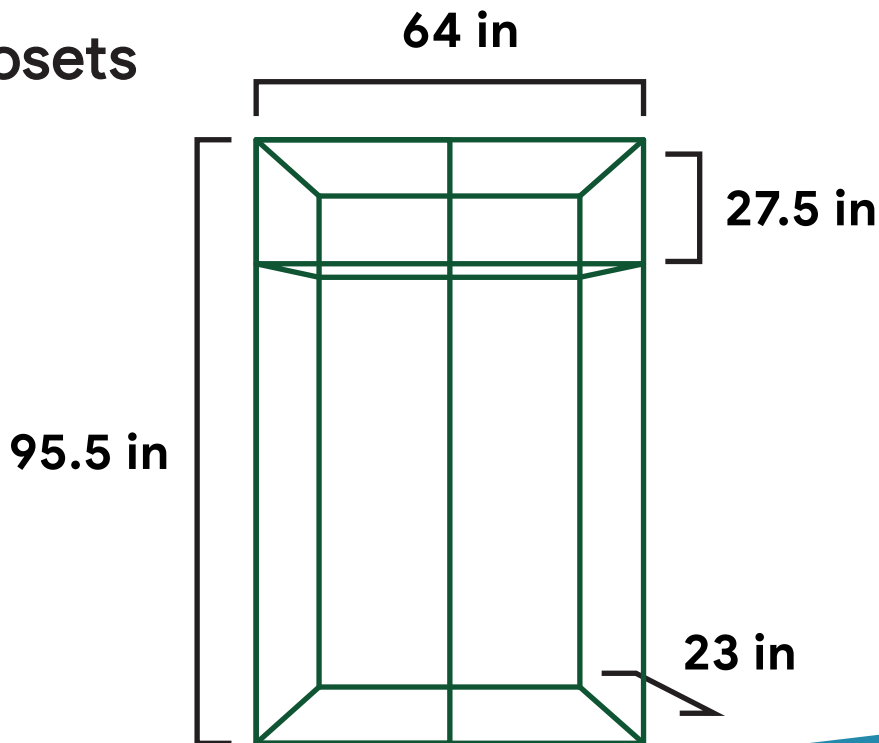


**west campus**  
furniture dimensions  
desk chair / dresser

## window



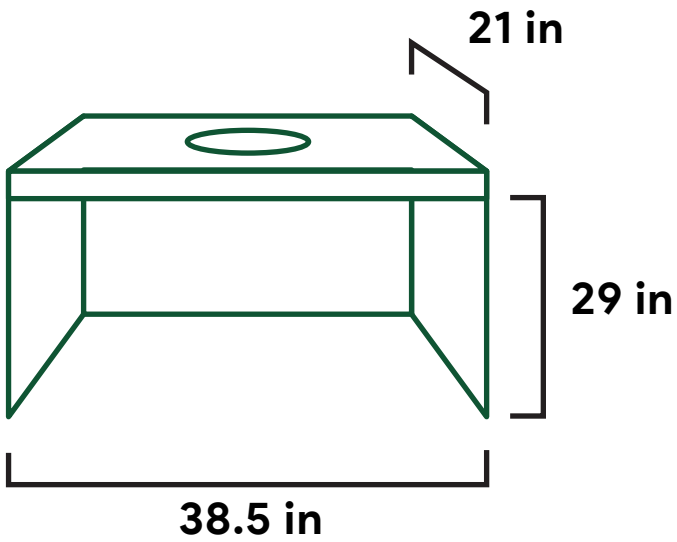
## closets



Students will share a closet in 8 person suites

**west campus  
furniture dimensions  
window / closet**

area under sink



**west campus**  
furniture dimensions  
**sink storage**